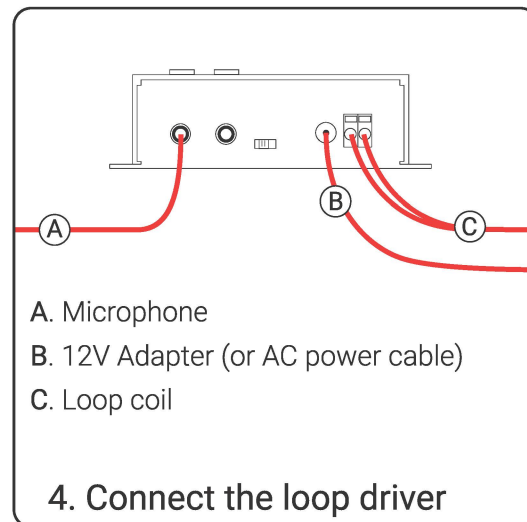
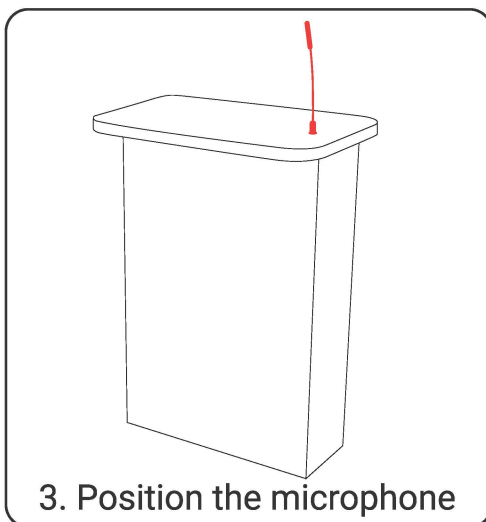
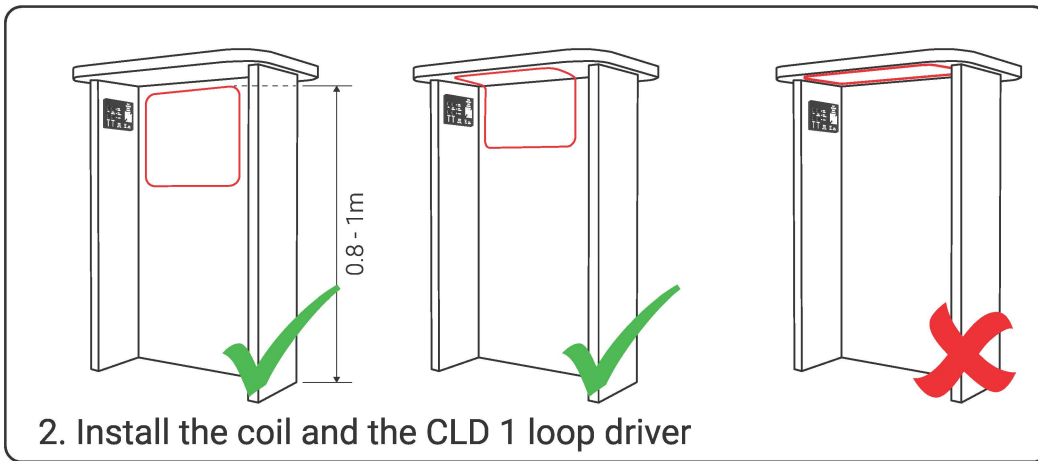
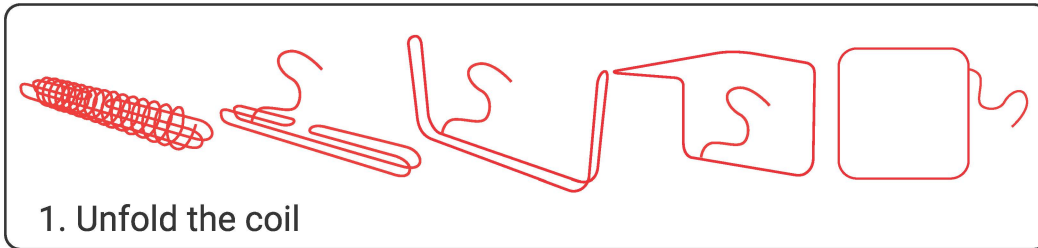


# CLD1, CLD1AC Quick start guide

WILLIAMSFAV

AMPETRONIC



AMPETRONIC  
CLD 1  
COMPACT  
LOOP  
DRIVER

- Power LED should be on
- Input signal and loop current indicators should light up when someone talks into the microphone
- If not, adjust Input 1 and Loop Current controls

5. Check for power and loop current

